



## SUPER LOW LIGHT HD CAMERA

### Features:

- Low light High Definition Camera
- Utilises 2/3" CMOS 2.1 megapixel HD sensor
- 2.1 megapixel High Definition Camera
- 32 bit colour reproduction
- 0.005 Lux Colour
- Outputs full 1920 x 1080 pixels at 30 fps
- Output selectable - 1080p, 1080i and 720p
- Feature Rich Controls
- 66mm (H) x 76mm (W) x 146 (D)mm
- Weight 560 g. (without lens)
- CS-mount - accepts C and CS mount lenses
- WORKS STRAIGHT FROM THE BOX

The NEW Kowa **HIGH DEFINITION, LOW LIGHT** Ultra High Sensitivity camera is designed for high end applications where high resolution colour images are required in very low light conditions.

The SC200PK1C provides a 30 fps colour image even at 0.005 lux. The sensitivity of the new Kowa SC200PK1C camera is comparable to EM-CCD cameras however the SC200PK1C also produces an high definition image and shows better colour reproduction under low light conditions.

Kowa also offer a range of ultra wide aperture lenses for the camera including a 60mm F0.8 5MP lens which is five times brighter than any standard 50mm F2.0 lens.

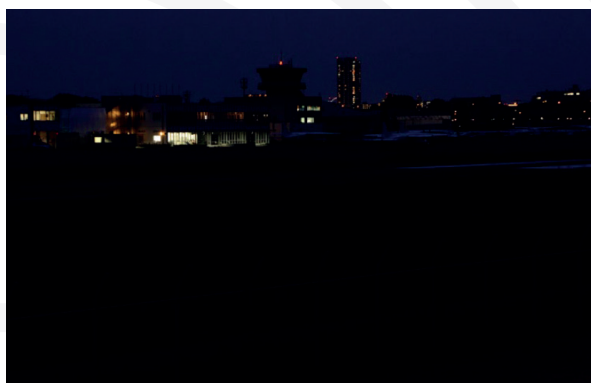
This camera has many suitable applications in the following industries:

- Broadcast
- High End Surveillance
- Police
- Homeland security
- ITS (Traffic applications)

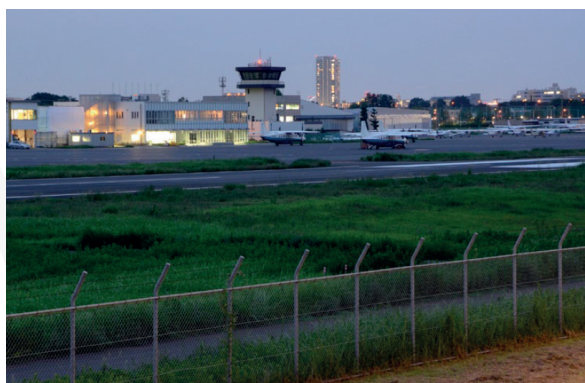
SeeSense are able to provide technical sales assistance and back up for this camera.

Contact SeeSense for lens options for the Kowa SC200PK1C camera.

Please contact SeeSense for full details and advice.



The Brightest low light colour HD image



Rev: 2.015.1214 E&OE

### Specification Performance

Power Requirements	12 V DC ± 10%
Power Consumption	7W
Image Sensor	2/3" progressive scan RGB Bayer 1-CMOS
Total Pixels	Horizontal: 2270, Vertical : 1144 (2.6 MP)
Output Pixels	Horizontal: 1920, Vertical: 1080 (2.1 MP)
Pixel Size	5.0 µm (H) x 5.0 µm (V)
Scanning System	Progressive (1080p)
Sync. Frequency	1080i 59.94 / 50
	1080p 30 / 29.97 / 25
	720p 60 / 59.94 / 50 / 30 / 29.97 / 25
Signal / Noise	More than 50dB
Gain	0-72dB
Sensitivity	F/4 standard (2000 lux, 3000K)
Min. Illumination	0.005 lux (f1.4, 30 fps, 50 IRE, +72dB, colour)
Frame Rate	30 frames per second
Video Signal Output	HD-SDI, PAL or NTSC
Output Format	1920 x 1080 / 30, 29.97, 25
Sync. System	Internal / External
Genlock	Available
Camera Lens Mount	CS-mount 12.5mm (in Air) With back focus adjust
Auto iris	DC Iris (Pana plug) with Speed Control in menu
Menu Control	Push buttons (Camera Rear) / RS485 Serial Port
Dimensions	66mm (H) x 76mm (W) x 146mm (D)
Weight	560 grammes

### Specification Features

Shutter Modes	Manual / Off (1/30 or 1/25), 1/50s, 1/60s, 1/100s, 1/125s, 1/250s, 1/500s, 1/1000s, 1/2000s, 1/4000s or 1/10000s
White Balance	AWB (Automatic White Balance) ATW (Automatic Tracking White) x 2 modes Manual (Manually Adjustable)
Gamma Correction	0.45 / 0.75 / 1
Detail	Image contour adjustment
Chroma	Chroma, Black Level, Colour Matrix, Image Flip / Mirror, Electronic zoom, Privacy Mask x 8
Test Pattern	Greyscale, Colour Bars or Cross Line
Wide Dynamic Range	OFF / WDR / Auto Knee / Auto Black Stretch
Fog Mode	Contrast enhancement
ALC	Auto Level Control
AGC	MANUAL / AUTO / HYPER AUTO
Flickeress Mode	ON / OFF - e.g. Flourescent light interference
BLC	ON / OFF / Spot Meter (5 x Area Select)
DNR	Digital Noise Reduction OFF / LOW / HIGH
Day / Night Mode	Auto, Colour or B/W IR Cut Filter ON / OFF
Menu Lock	ON / OFF

### Recommended Accessories

#### Lenses

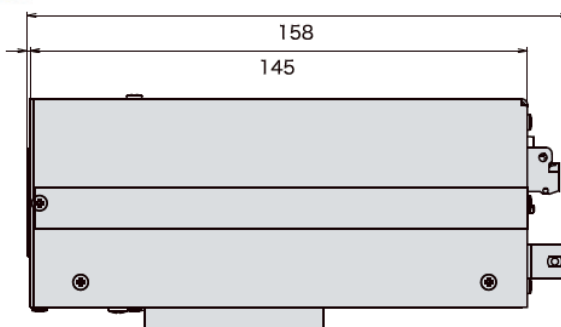
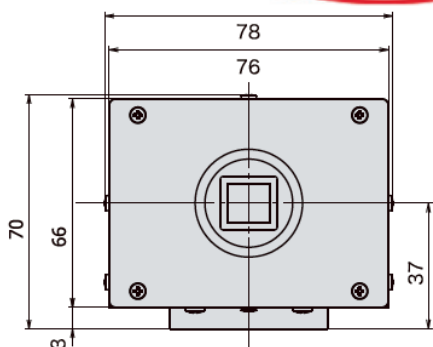
Kowa	25mm	8.8 degrees	6MP 1" F0.85 CS mount DC iris
	35mm	14.9 degrees	6MP 1" F0.85 CS mount DC iris
	60mm	20 degrees	6MP 1" F0.85 CS mount DC iris

The following lenses (a small selection only) have been tested by SeeSense and are known to be compatible with this camera. (angles of view quoted are in the horizontal plane).

If you have a specific requirement please contact SeeSense for advice.

#### Power Supply

SeeSense SS-PSU-xx Own brand power supply.



Rev: 2.015.1214 E&OE