



Features:

- **12 mm lens**
- **9 Megapixel Resolution**
- Also suitable for 4 and 6 MP cameras
- Integrates with 1" to 1/3" camera sensors
- Sharp high contrast low distortion images
- 80mm M.O.D. is superior to using close up rings
- Floating focus mechanism
- Robust, precise and reliable mechanics
- Compact design
- Weight 156 grammes

Specification:

Focal Length	12mm
Image Format	1" (13.2 x 8.8mm)
Adjustment	Manual iris and focus adjustment
Maximum Aperture	F2.0
Aperture Range	F2.0 ~ 16 (with detente)
Horizontal Angle of View	1" = 57.0°, 2/3" = 40.6°, 1/1.8" = 33.6°, 1/2" = 30.0°, 1/3" = 22.7°
Focussing Range	∞ - 0.08m (from Front of Lens)
Minimum Object Distance	80mm
Resolution	9 MP - compatible with 3.69µm pixel pitch 135 lp/mm to periphery
Back Focal Length	14.1mm
Locking Screws	For focus and iris
Filter Thread	40.5mm x 0.5mm
Mount	C-mount (metal)
Flange Back	17.526mm (in air)
Weight (g)	156 grammes
Dimensions	42.0mm (Diameter) x 60.5mm (Length)

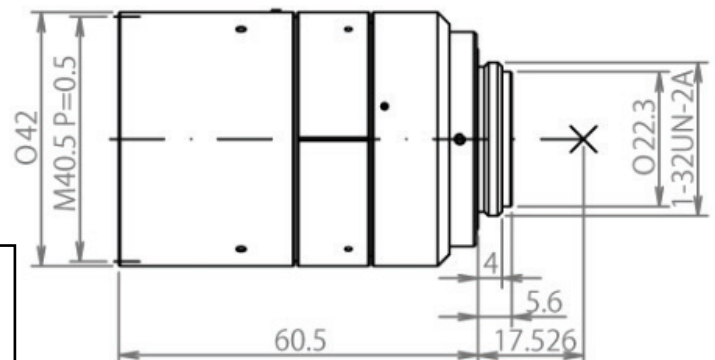
The Ricoh FL-BC1220-9M is a **12mm lens** FA lens compatible with 1" to 1/3" camera sensors with a resolution up to 9MP. It exhibits excellent performance in capturing high definition images right from the center to the periphery of the image. The FL-BC1220-9M is compact lens (42 x 60.5mm) and weighs only 156 grammes.

A floating mechanism allows the capture of high-resolution, low-distortion images at all ranges. The lens demonstrates maximum performance at any magnification or working distance from infinity right down to 80mm and is ideal for a wide range of applications:

- Industrial Imaging & factory automation
- Measurement and inspection applications
- Line-scan cameras and sensors up to 16mm long
- Broadcast and film
- and many other applications.

Please contact SeeSense for further details of all the HD compatible C and CS-mount lenses we offer:

www.seesense.eu nigel@seesense.eu



Rev: 1.017.0916 E.&.O.E.