

PEARLESS[®]
CREATIONS



NEW 17mm Diameter Full 1080p HD camera system for a wide variety of applications with two Camera Control Unit (CCU) options as standard.

The PC-HD17 is a 17mm diameter remote head HD camera which can be utilised as a direct replacement for Toshiba IK-M51H and ELMO MP50H lipstick cameras. The camera uses a separate Camera - CCU cable up to 25m long.

A range of lenses is available for the PC-HD17 and original Toshiba and ELMO camera lenses are also compatible.

CCU options provide full camera control with a built in DVR capable of capturing both video (MP4) and still images (JPEG). They have HDMI and PAL outputs. One option includes a built in battery for full portability; custom rack mounted options are available for building into OEM solutions.



FULL 1080p HD 17mm LIPSTICK REMOTE HEAD CAMERA WITH DVR

Main Features:

- 1/3" 1-CMOS colour Full HD sensor
 - 17mm diameter camera head
 - Choice of two CCUs
 - PC-HDVRCU Standard CCU with DVR
 - PC-HDVRCU CCU with DVR and Battery
 - Range of flexible / rigid cables <=25metres
 - Accepts 4, 7.5, 15 or 24mm lenses with adjustable iris (other lenses available)
 - Micro HDMI and analogue output
 - Micro SD slot (up to 64gb)
 - USB Connectivity
 - 1 Year Warranty
 - Other options:
 - PC-HD15 1/3" remote head lipstick
 - PC-HD15T 1/3" remote head with fixed cable
 - PC-HD34 1/2.9" remote head block
- All use the same CCUs as the PC-HD17

These cameras are ideal for a wide range of applications in different industries including:

- Industrial video / inspection systems
 - Including Nuclear, Engine Inspection, Furnaces, Welding, Machining Processes, etc
- Miniature POV Broadcast Camera
- Natural history filming
- Covert security camera
- Scientific imaging / diagnostics
- Medical Endoscopy, Microscopy, etc.

SeeSense are able to provide full technical assistance and back up for this camera.

Please contact SeeSense for further information.



Rev: 1.024.0217 E.&O.E.

Camera Specification:

Power Requirements	12V DC
Power Consumption	<200 mA
Image Sensor	1/3-inch CMOS
Sensor Area	5.07mm x 3.38mm
Active Pixels	Horizontal: 2304, Vertical: 1536 pixels
Effective Pixels	Horizontal: 2304, Vertical: 1296 pixels
Pixel Size	2.2µm x 2.2µm
Video Resolution	1920x1080, 1280x720, 848x480
Still Resolution	5MP, 3MP or 2MP
Synchronization	Internal
Signal/Noise Ratio	39 dB
Sensitivity	0.2 lux (30 IRE) at F1.2
Responsivity	2.0V/lux-sec
Scanning Mode	Progressive
Shutter Type	ERS
Shutter Modes	AUTO: 1/60s - 1/100,000 Sec
Frame Rate	Up to 60 fps
Back Light Comp.	Automatic
Dynamic Range	69.5 dB
Gain Control	Automatic (Switching)
White Balance	AWB : Auto White Balance
Video Output Signals	HDMI or PAL standard
RS-232 Control	TBC
Remote Control	TBC
Lens Mount	17mm Ø
Camera Dimensions	17mm (D) x 34mm (L) (Without Lens)
Weight	TBC
Operating Temperature	-30°C ~ 70°C
Storage Temperature	-20°C ~ 90°C

Cables

Flexible PVC Black 4mm Outside Diameter 22 AWG Cable

11264885-xxm **3, 5, 10, 12 or 15m Options**

Rigid PVC Grey 6mm Outside Diameter 22 AWG Cable

11264882-xxm **3*, 5*, 10*, 12*, 15*, 18, 20 or 25m Options**
* Special Order

SeeSense are able to provide full technical assistance and back up for this camera.

Please contact SeeSense for further information.

CCU Functions:

CCU Options	PC-HDVRCU - Standard control unit PC-HDVRPCU - With built in battery Rack mount options available upon request
Power	12V DC Power Input
DVR	Simultaneous Recording of MP4 Video and JPEG still images with ability for real-time video
Still Capture	By RED button on CCU Front
Playback	YES Video and Images
Control	File, Resolution, Video Segmenting, Light Frequency & Illumination Control Also Select Output Format
Battery	5,000 mAh = Approx 8 hours (PC-HDVRPCU)
Output	Mini HDMI Selected by switch Analogue video Micro SD slot (up to 64gb)
CCU Dimensions	132 (L) x 94 (W) x 50mm (D)
CCU Weight	0.45 KG TBC KG

Lenses

17mm Ø Lens Options**

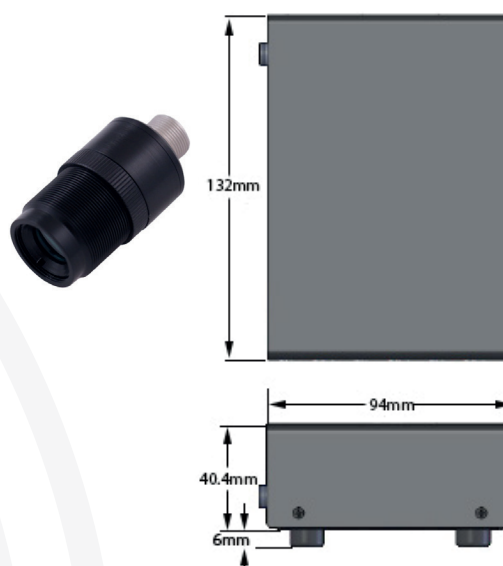
4.0mm, 7.5mm, 15.0mm or 24.0mm all with adjustable iris

Compatible Lenses (limited availability)

ELMO T183, T204D, T1675F, T2015D, T3124, T4536, T287P, T3425M/MB/MC, T416M/MA/MB

Toshiba JK-L03M, JK-L04M2, JK-L75M, JK-L15M2, JK-L24M2

**Contact SeeSense for full range of lenses and lens advice



Rev: 1.024.0217 E.&O.E.