

PEARLESS[®]
CREATIONS



NEW super compact Full 1080p HD camera systems for a wide variety of applications. Three camera options and two Camera Control Unit (CCU) options as standard.

The PC-HD15 is a 15mm diameter M12 mount remote head camera which uses a separate camera - CCU cable up to 25m long (PC-HD15T is the same specification but uses a tethered cable). The PC-HD34 is a small remote head block camera with 1/2.9" sensor which accepts M12 or C-mount lenses.

CCU options provide full camera control with a built in DVR capable of capturing both video (MP4) and still images (JPEG). They have HDMI and PAL outputs. One option includes a built in battery for full portability; custom rack mounted options are available for building into OEM solutions.

FULL 1080p HD LIPSTICK & COMPACT REMOTE HEAD CAMERA WITH DVR

Main Features:

- 1/3" 1-CMOS colour sensor, **1/2.9" PC-HD34**
- Choice of three camera styles
- Custom Camera Housings Available
- Choice of two CCUs
 - PC-HDVRCU Standard CCU with DVR
 - PC-HDVPCU CCU with DVR and Battery
- Range of flexible / rigid cables <=25metres
- S-mount (M12) **S & C-Mount for PC-HD34**
- Wide Range of lenses available
- Micro HDMI and analogue output
- Micro SD slot (up to 64gb)
- USB Connectivity
- 1 Year Warranty
- Options:
 - PC-HD15 1/3" remote head lipstick
 - PC-HD15T 1/3" remote head with fixed cable
 - PC-HD34 1/2.9" remote head block
 - PD-HD17 1/3" remote head lipstick

These cameras are ideal for a wide range of applications in different industries including:

- Industrial video / inspection systems
Including Nuclear, Engine Inspection, Furnaces, Welding, Machining Processes, etc
- Miniature POV Broadcast Camera
- Natural history filming
- Covert security camera
- Scientific imaging / diagnostics
- Medical Endoscopy, Microscopy, etc.

SeeSense are able to provide full technical assistance and back up for this camera.

Please contact SeeSense for further information.



Rev: 2.018.0317 E.&O.E.

Camera Specification:

	Details in RED are different for PC-HD34	
Power Requirements	12 V DC	
Power Consumption	<200 mA	<150mA
Image Sensor	1/3-inch CMOS	1/2.9-inch CMOS
Sensor Area	5.07mm x 3.38mm	
Active Pixels	Horizontal: 2304 , Vertical: 1536 pixels	Horizontal: 2001 , Vertical: 1121 pixels
Effective Pixels	Horizontal: 2304, Vertical: 1296 pixels	Horizontal: 1936, Vertical: 1097 pixels
Pixel Size	2.2µm x 2.2µm	2.8µm x 2.8µm
Video Resolution	1920x1080, 1280x720, 848x480	
Still Resolution	5MP, 3MP or 2MP	
Synchronization	Internal	
Signal/Noise Ratio	39 dB	
Sensitivity	0.2 lux (30 IRE) at F1.2	0.08 lux at F1.2
Responsivity	2.0V/lux-sec	1.6V/lux-sec
Scanning Mode	Progressive	
Shutter Type	ERS	ERS (GRR optional)
Shutter Modes	AUTO: 1/60s - 1/100,000 Sec	
Frame Rate	Up to 60 fps	
Back Light Comp.	Automatic	
Dynamic Range	69.5 dB	85.5dB
Gain Control	Automatic (Switching)	
White Balance	AWB : Auto White Balance	
Video Output Signals	HDMI or PAL standard	
Lens Mount	S-mount (M12)	S & C-mount
Camera Dimensions	15mm (D) x 36.5mm (L) Cable	
	15 mm (D) x 30mm (L) Tethered 34 (L) x 30.9 (W) x 24mm (D)	
Weight	TBC	
Operating Temperature	-30°C ~ 70°C	-30°C ~ 75°C
Storage Temperature	-20°C ~ 90°C	-40°C ~ 80°C

SeeSense are able to provide full technical assistance and back up for this camera.

Please contact SeeSense for further information.

CCU Functions:

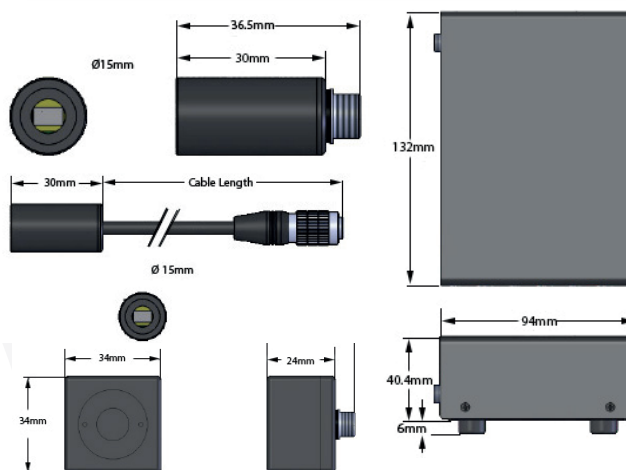
CCU Options	PC-HDVRCU - Standard control unit PC-HDVRCPU - With built in battery Rack mount options available upon request
Power	12V DC Power Input
DVR	Simultaneous Recording of MP4 Video and JPEG still images with ability for real-time video
Still Capture	By RED button on CCU Front
Playback	YES Video and Images
Control	File, Resolution, Video Segmenting, Light Frequency & Illumination Control Also Select Output Format
Battery	5,000 mAh = Approx 8 hours (PC-HDVRCPU)
Output	Mini HDMI
Selected by switch	Analogue video Micro SD slot (up to 64gb)
CCU Dimensions	132 (L) x 94 (W) x 50mm (D)
CCU Weight	0.45 KG TBC KG

Cables

Flexible PVC Black 4mm Outside Diameter 22 AWG Cable	11264885-xxm	3, 5, 10, 12 or 15m Options
Rigid PVC Grey 6mm Outside Diameter 22 AWG Cable	11264882-xxm	3*, 5*, 10*, 12*, 15*, 18, 20 or 25m Options * Special Order

Lenses

Standard S-mount (M12) Options**
0.9mm 170° F1.8, 2.8mm 92° F2.0, 4.2mm 72° F1.8, 6mm 51° F1.8, 8mm 42° F1.8, 12mm 30° F1.8,
**Contact SeeSense for full range of S-mount (M12) and C-mount lenses and lens advice



Rev: 2.018.0317 E.&O.E.